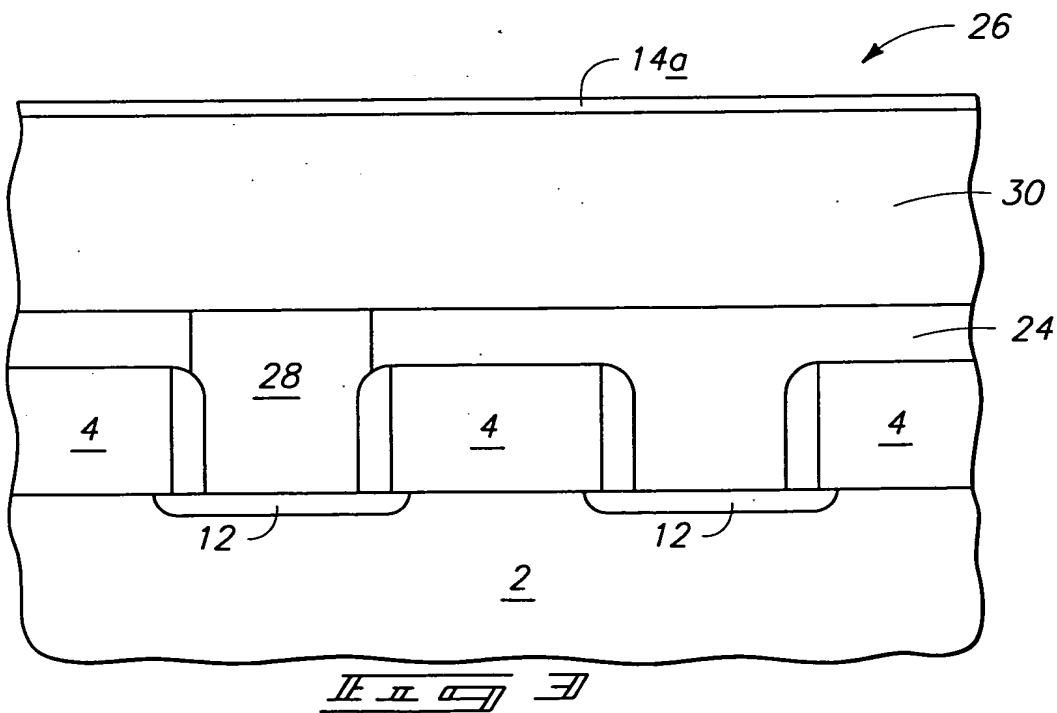
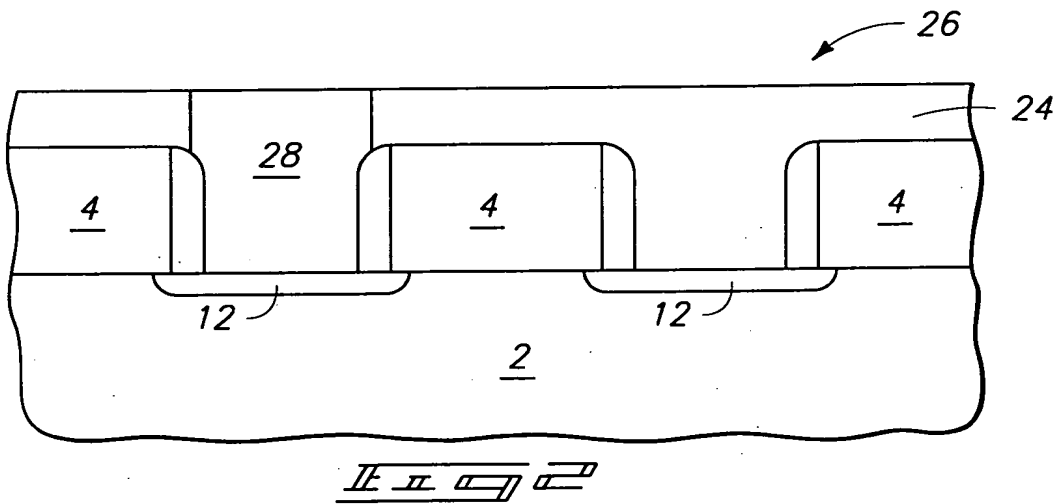
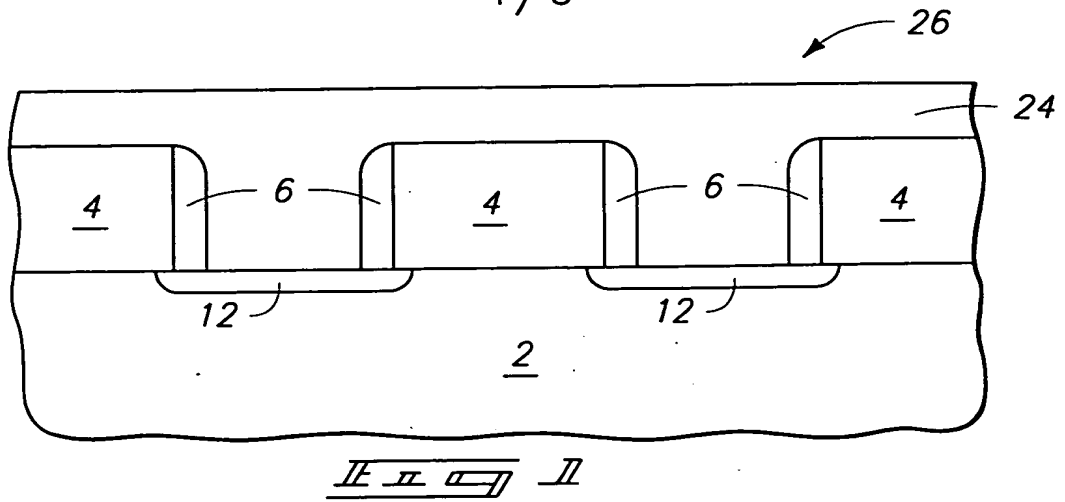


1/9



FOR SEEBER

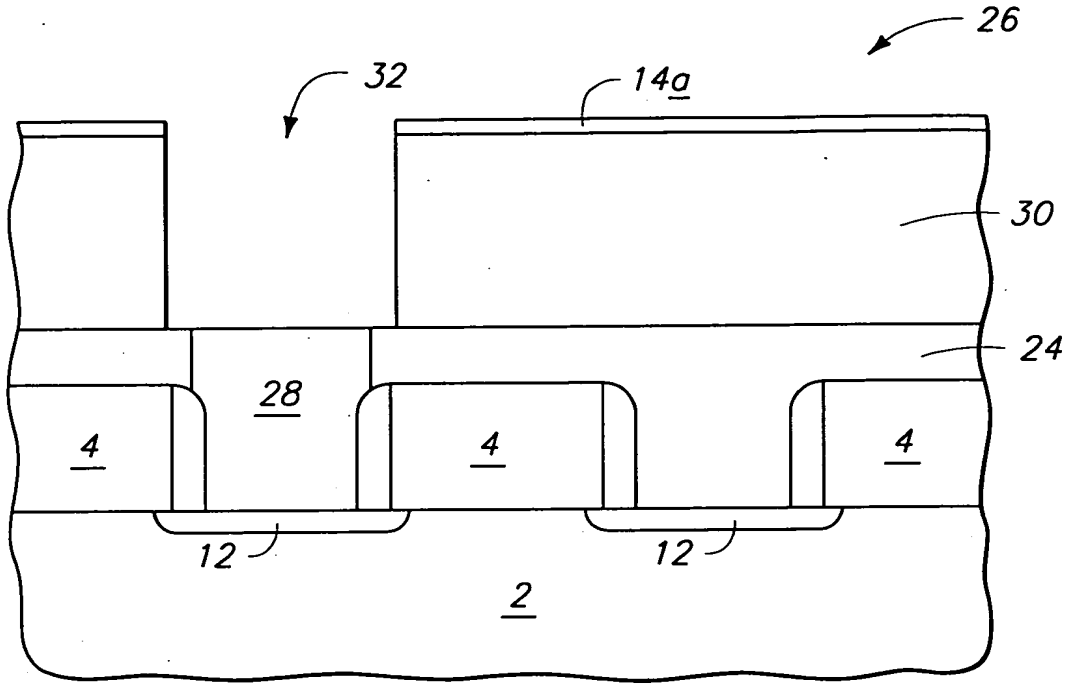


Fig. 4

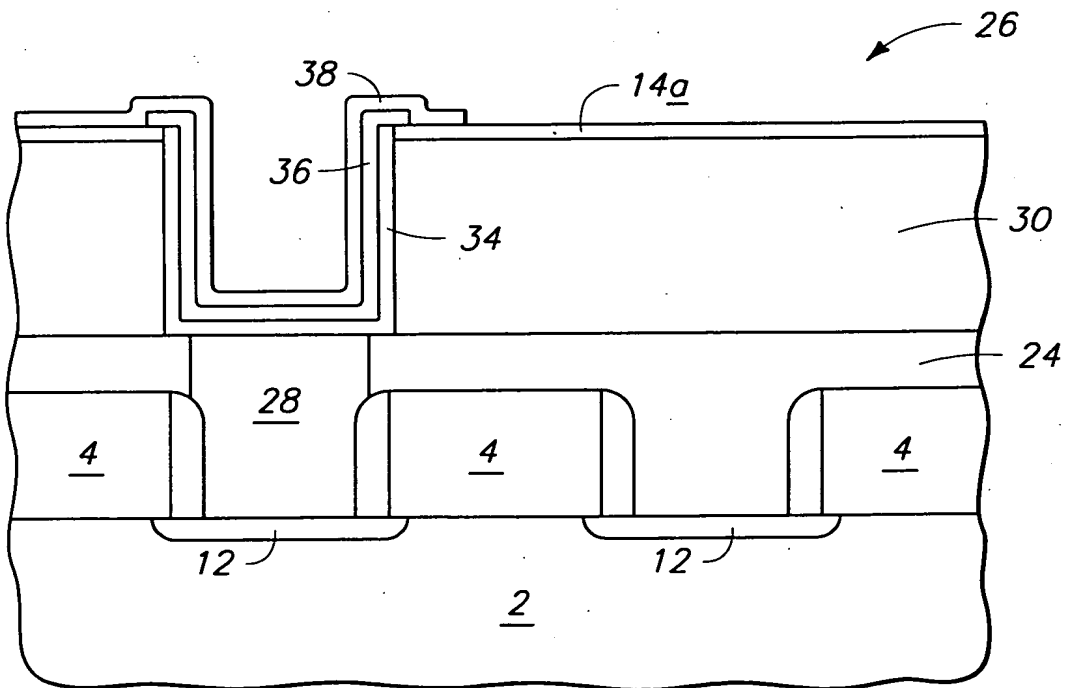
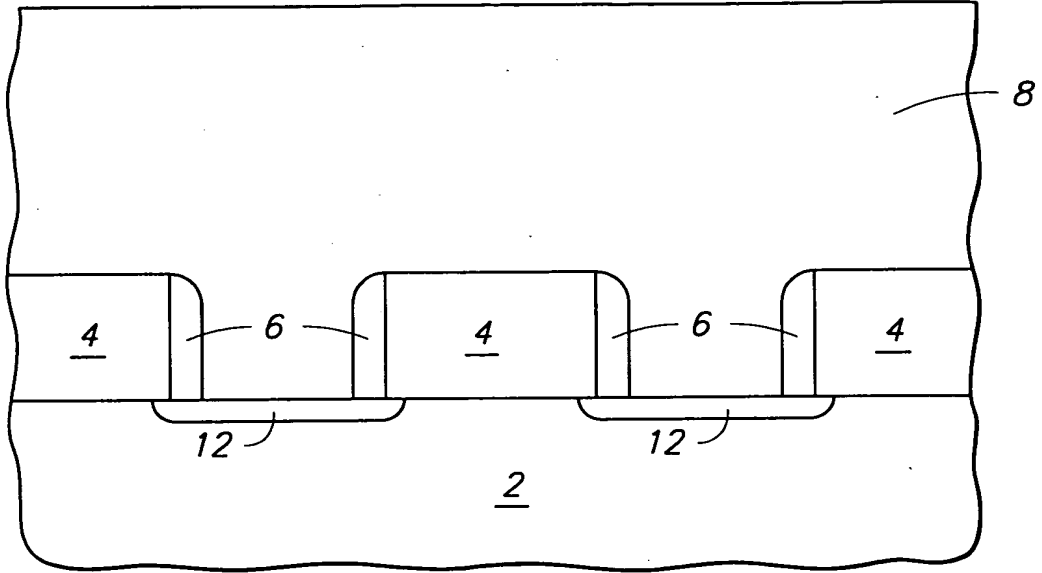


Fig. 5

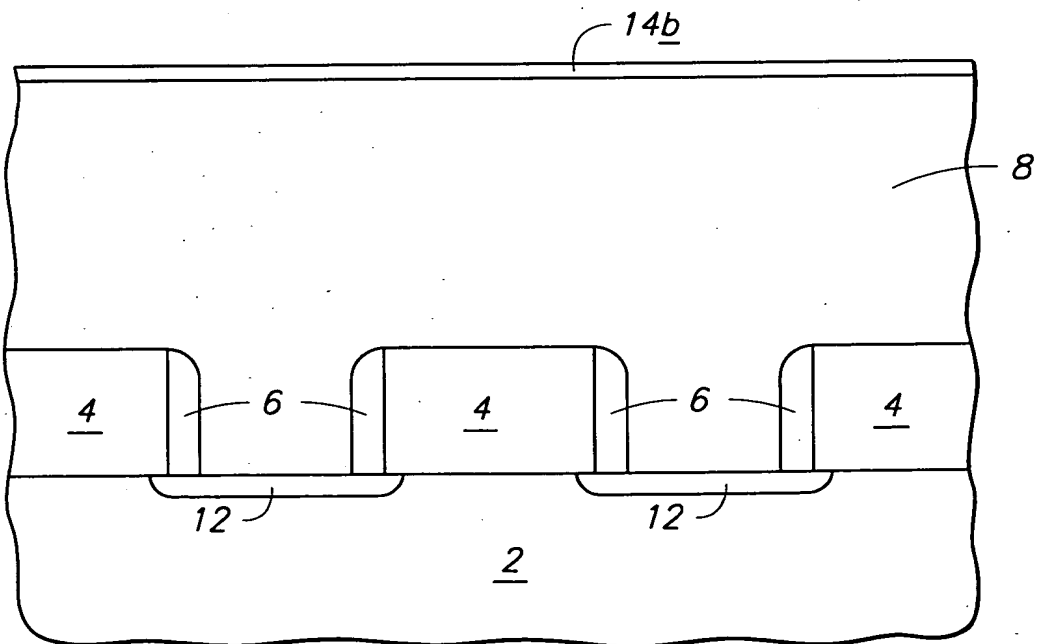
3/9

10



II II □ □

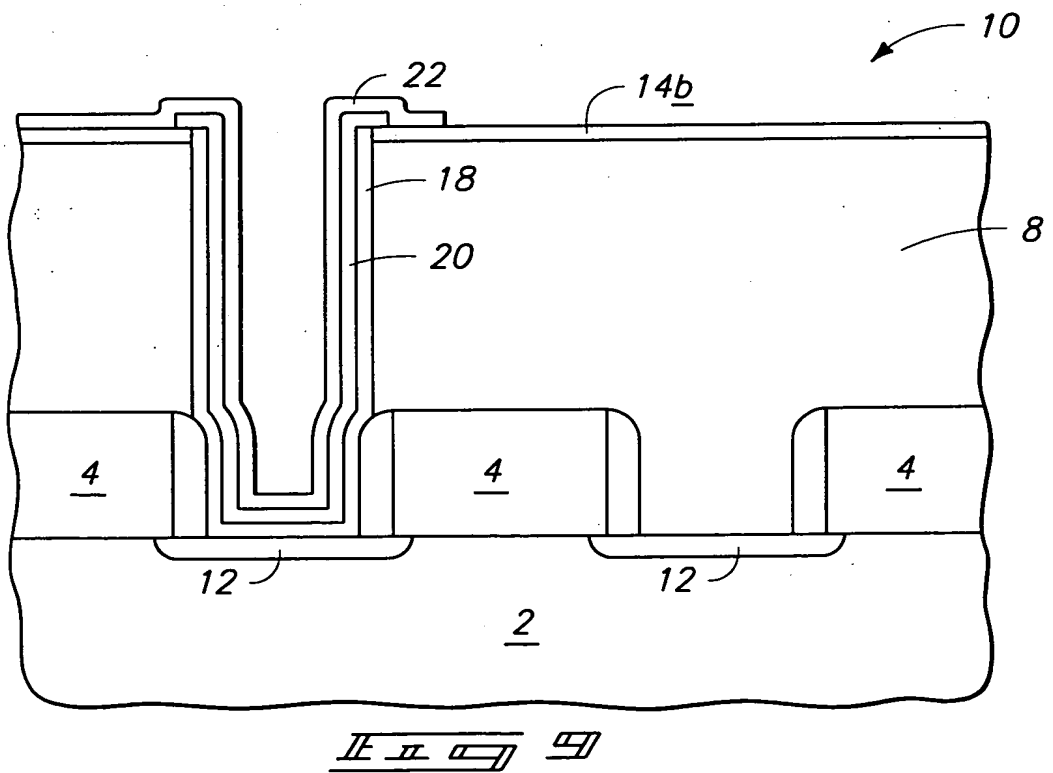
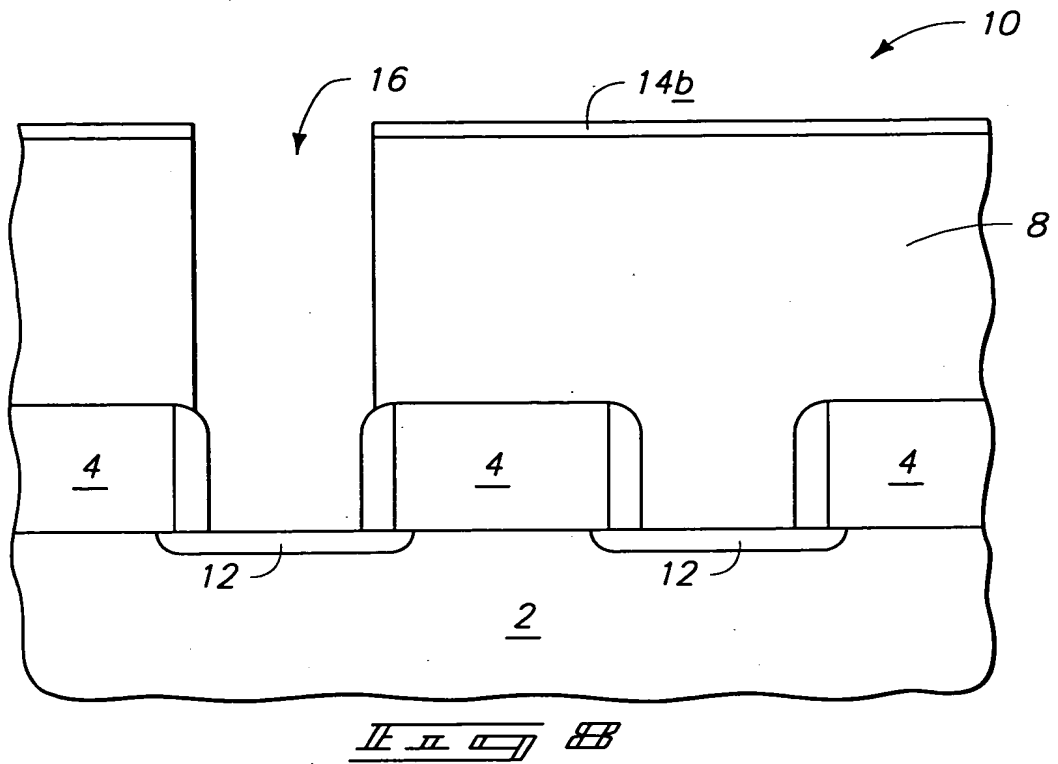
10



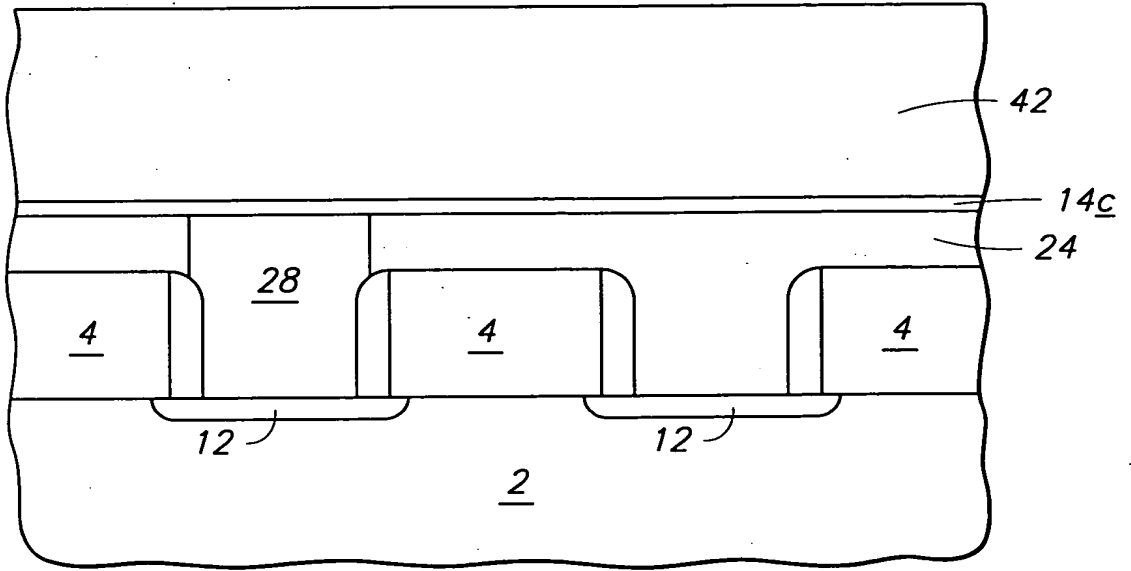
II II □ □

FOR SO. 332280

0100300300

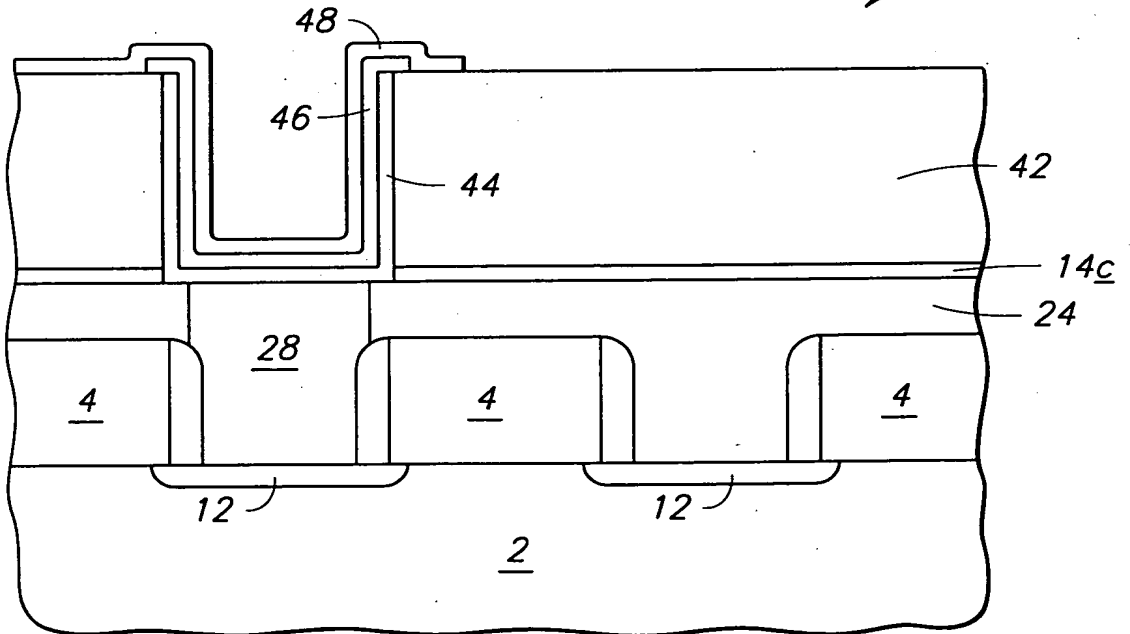


40



II II II II

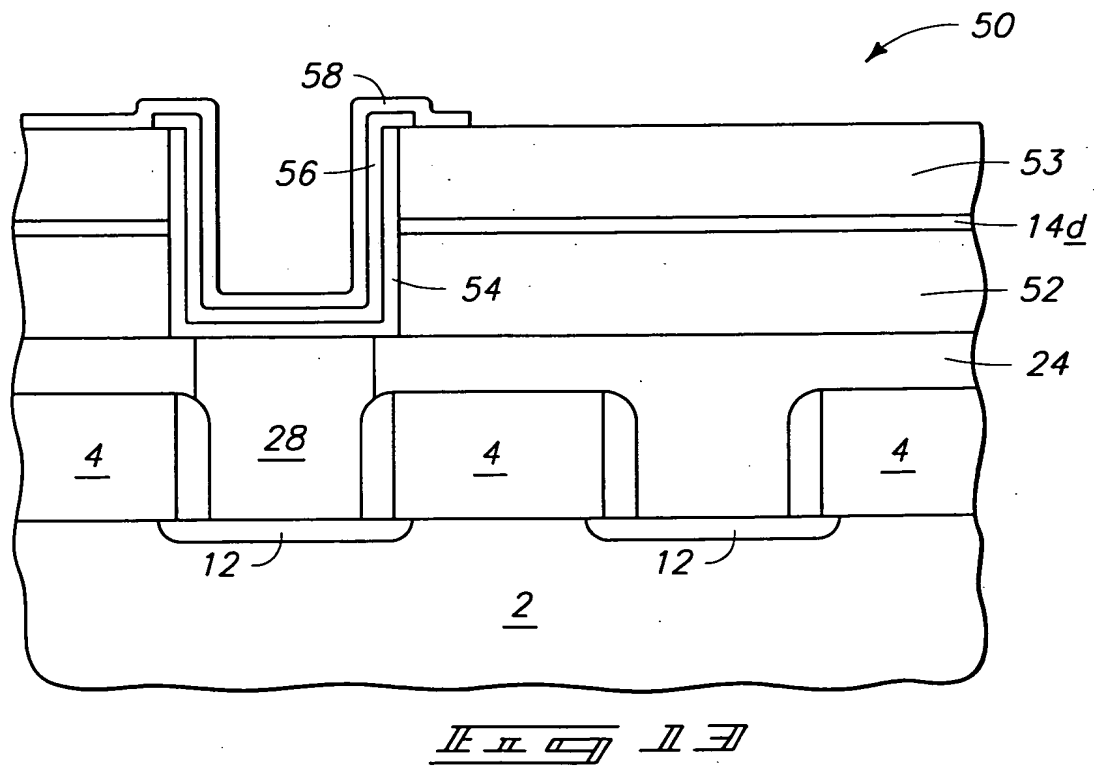
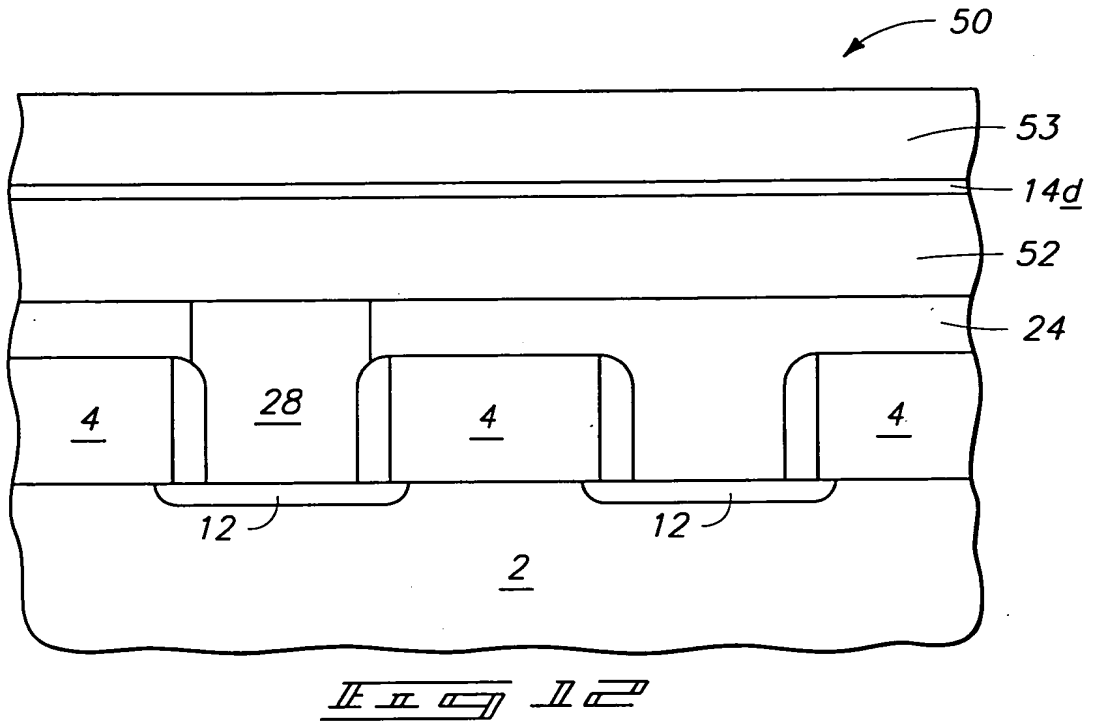
40



II II II II

FOR RELEASE

MI22-1568



60

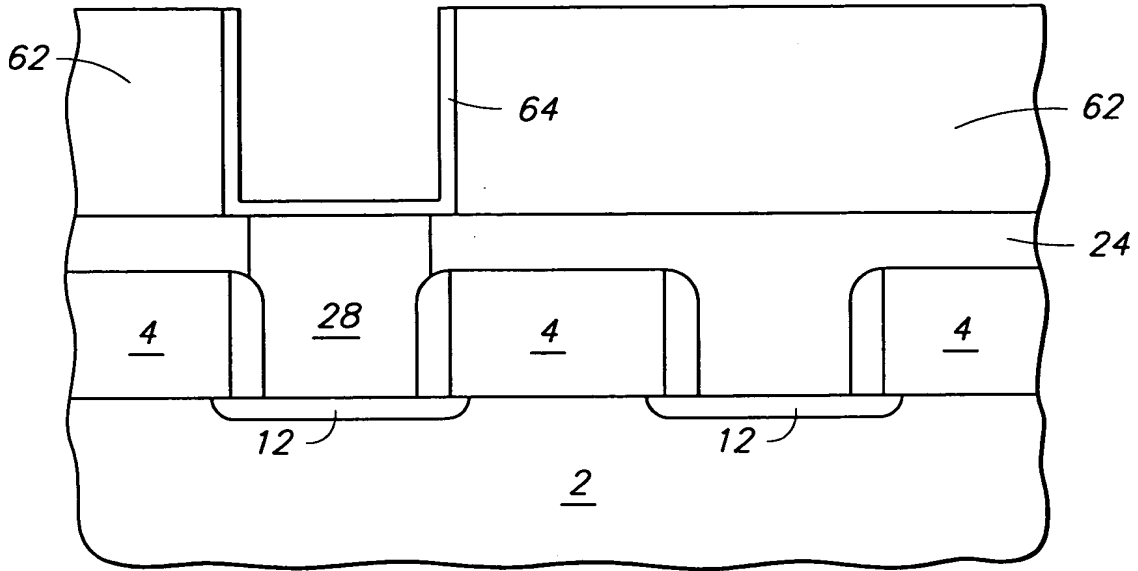


FIG. 4 FIG. 5

60

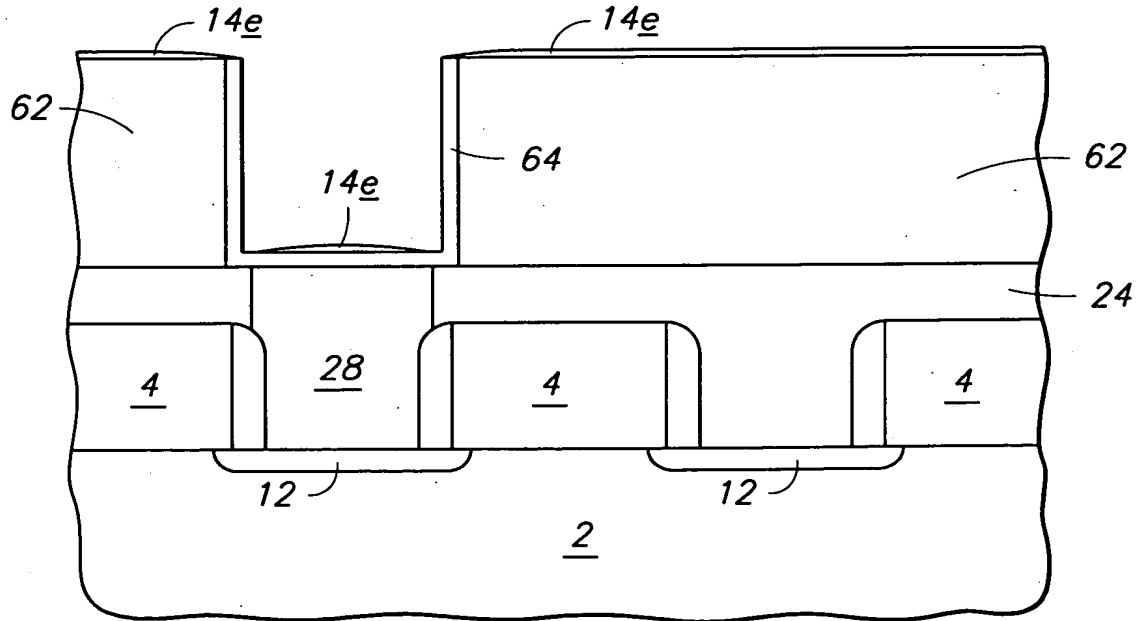
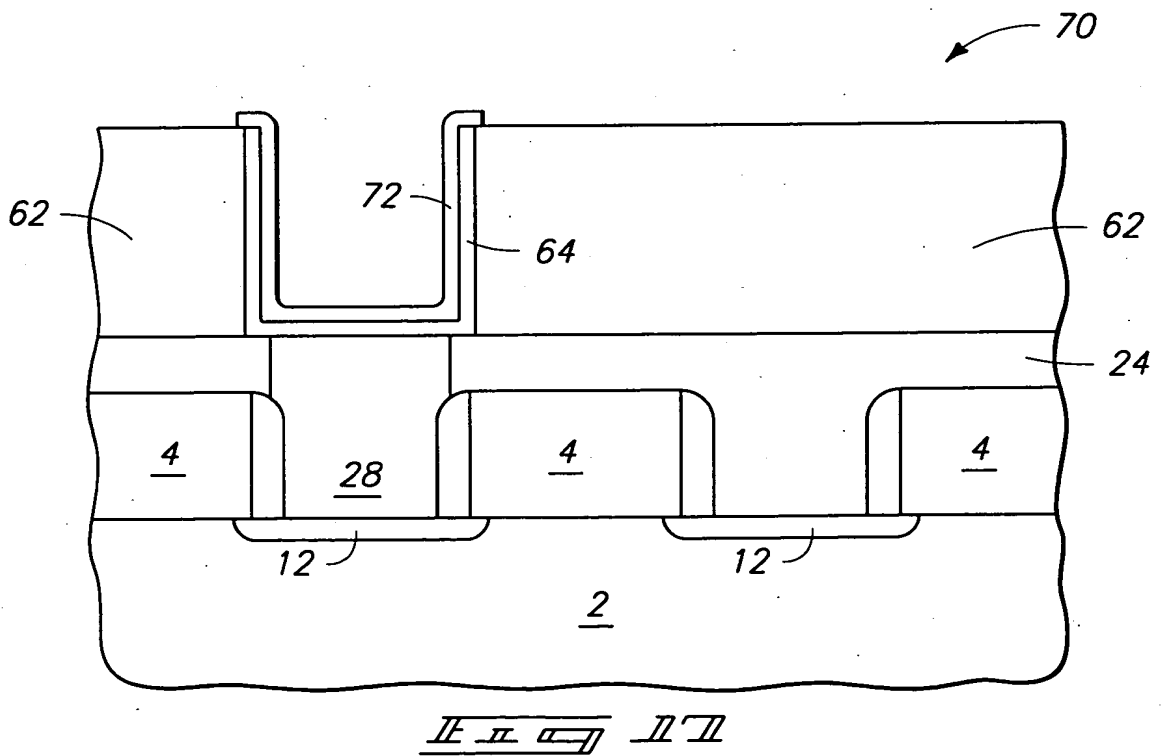
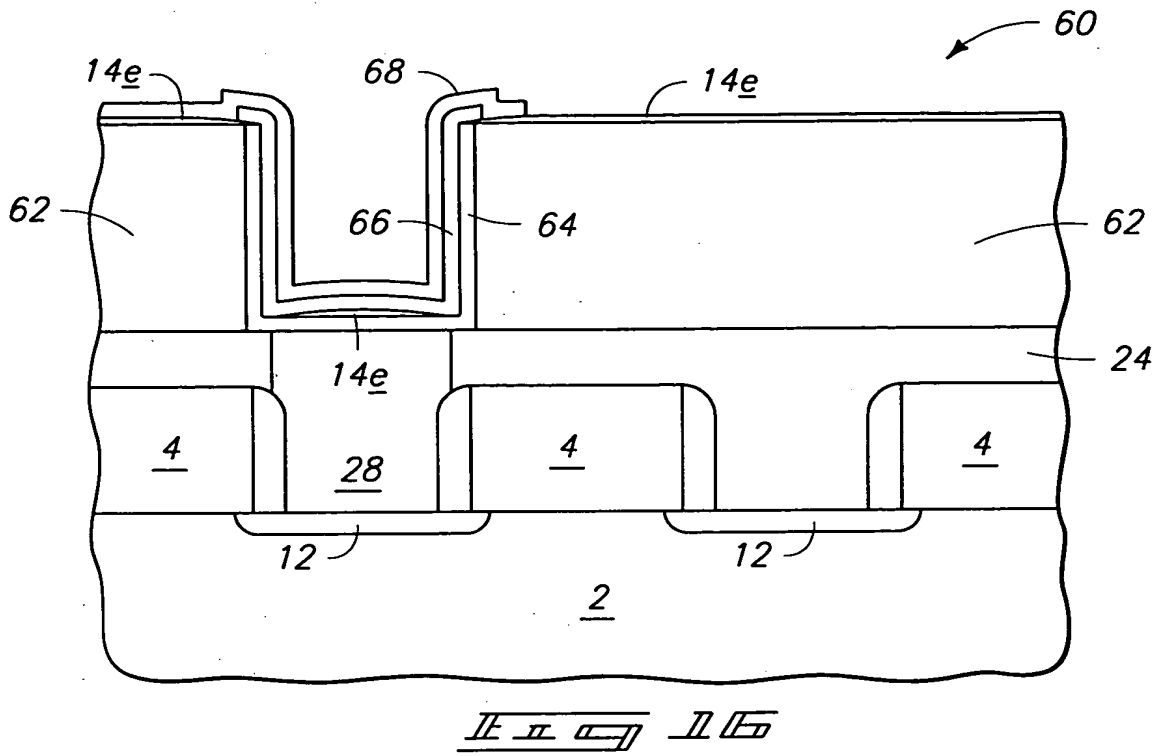


FIG. 4 FIG. 5

2025 RELEASE UNDER E.O. 14176



FOR SELECTION



9/9

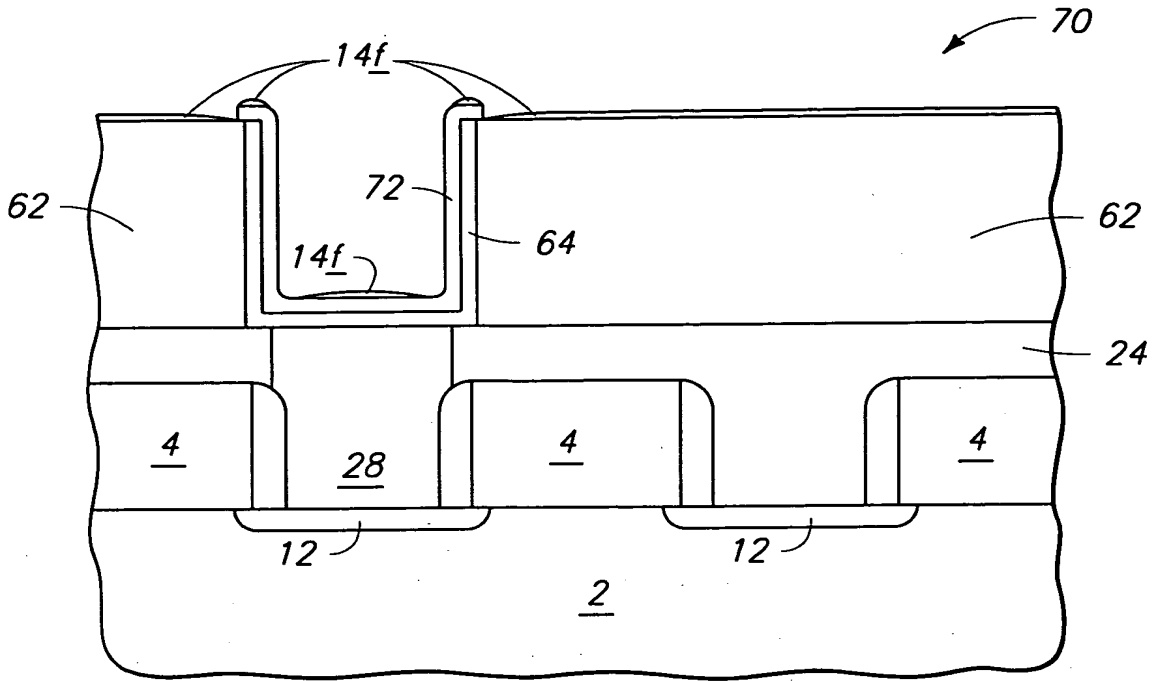


FIG. 1188

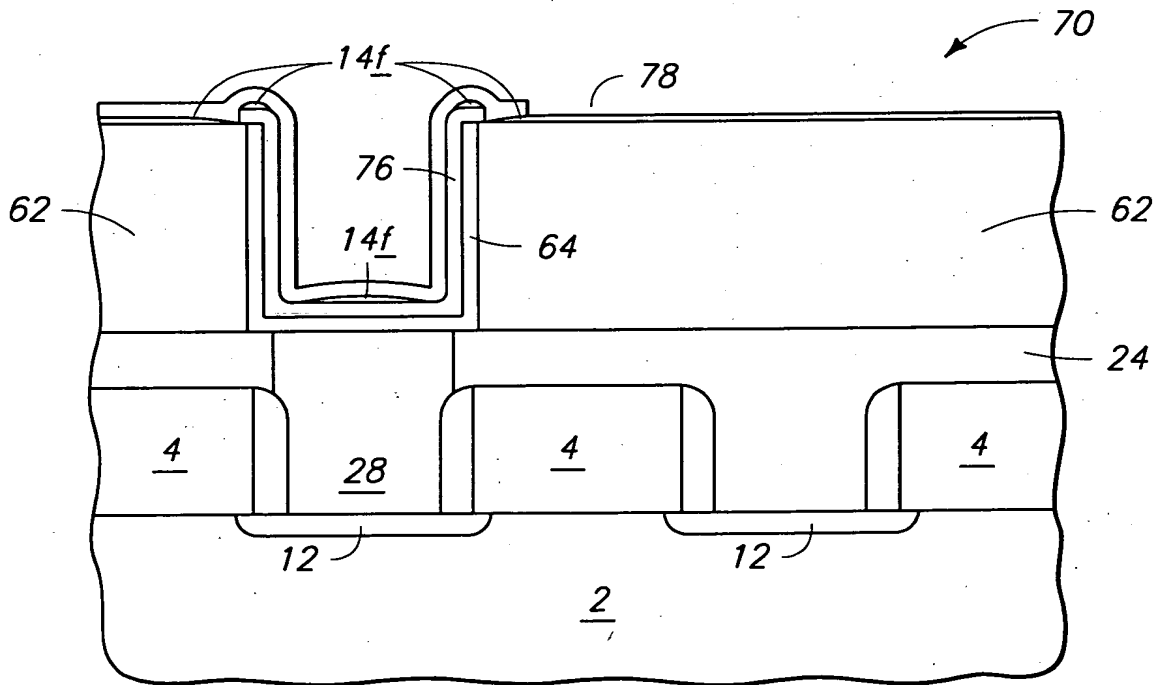


FIG. 1189

400 400 400 400 400 400 400 400 400 400